

DISPENSE TAPS

O-TAP



DEDICATED TO
DRAFT QUALITY

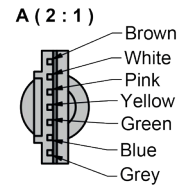
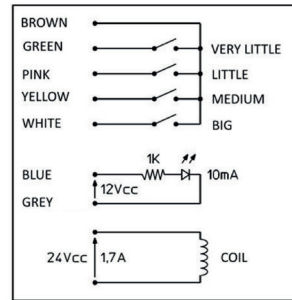
DISPENSE TAPS

O-TAP

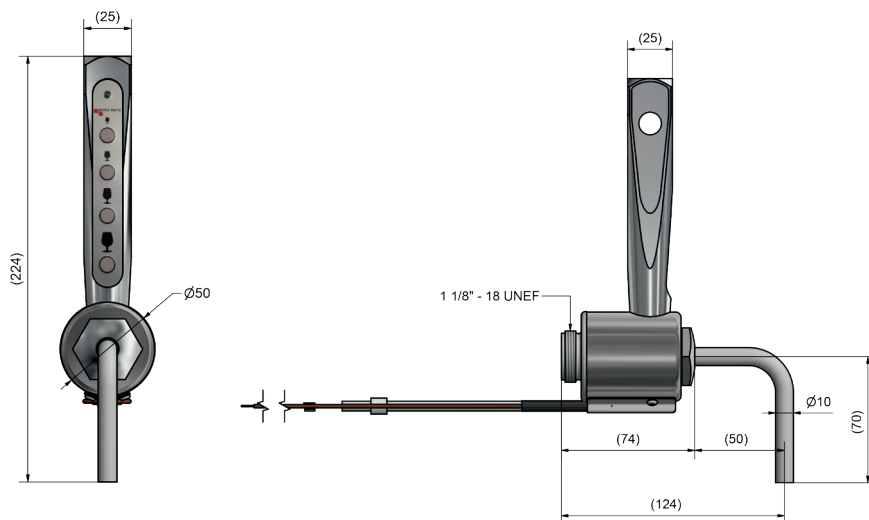
SPECIFICATION

Item no:	888-502
Finish:	Polished stainless steel
Power supply:	24V DC
Max power consumption:	40W

ELECTRIC SCHEME



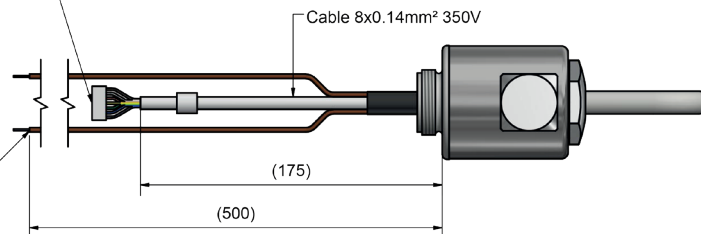
DIMENSION



DESCRIPTION

Body connector PCB JST series PHR
Female, 7 way, 1 row, step 2
RS Code: 820-1484
JST code: PHR-7

Wires 0.75mm² AWM STYLE 1007/1569
80/105 C VW-1



Additional cable

